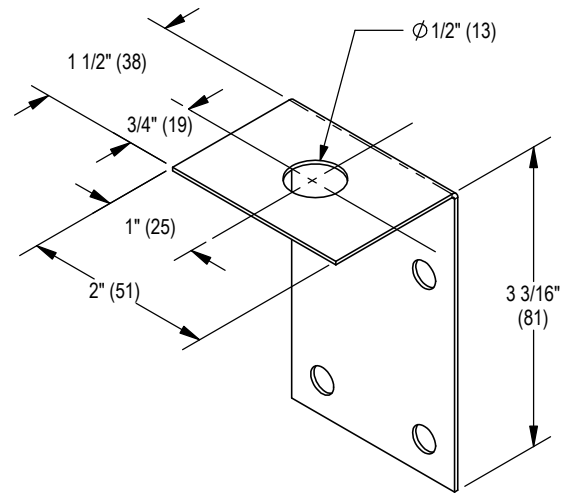


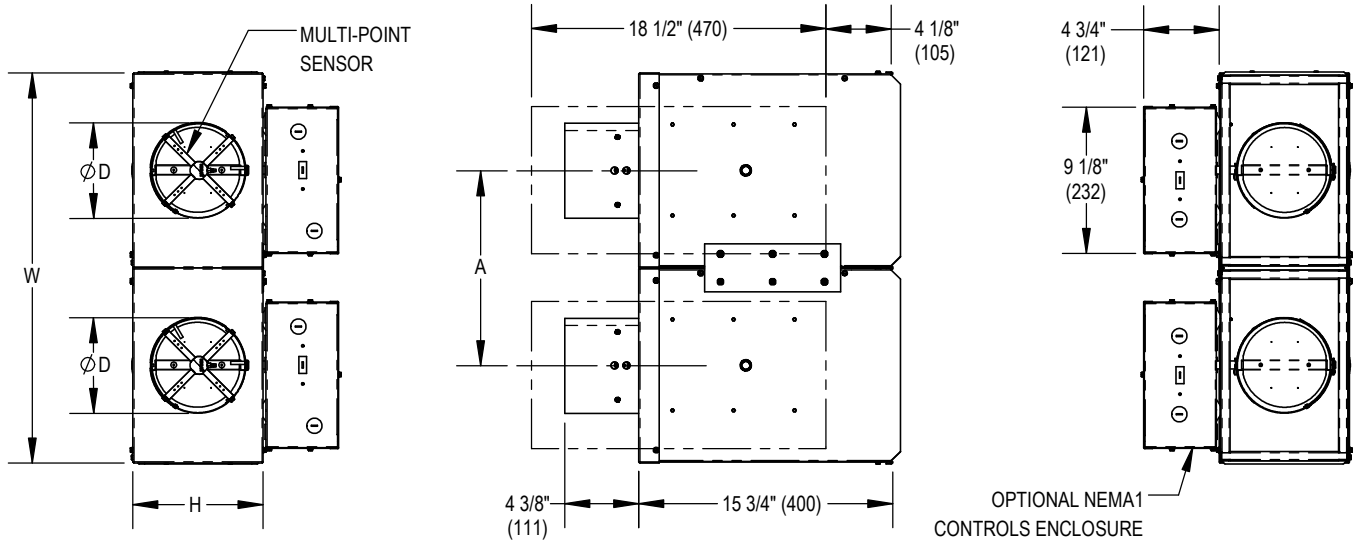
**STANDARD CONSTRUCTION**

- HANGER BRACKETS CONSTRUCTED OUT OF 12 GAUGE GALVANIZED STEEL.
- 4 BRACKETS PER UNIT.
- LAYOUT INDICATES SUGGESTED HANGER BRACKET LOCATIONS
- BRACKETS ARE SHIPPED LOOSE FOR FIELD INSTALLATION FOR USE WITH FASTENERS AND THREADED HANGER RODS (BY OTHERS).

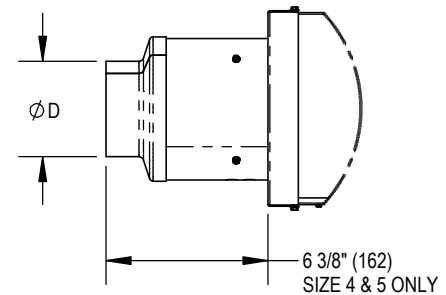


ALL METRIC DIMENSIONS [ ] ARE SOFT CONVERTED. IMPERIAL DIMENSIONS ARE CONVERTED TO METRIC AND ROUNDED TO THE NEAREST MILLIMETER.

<b>PROJECT:</b>		<b>price</b> <sup>®</sup>	
<b>ENGINEER:</b>		APPROVED BY: GH	<b>DDV DUAL DUCT TERMINAL VARIABLE VOLUME NON-MIXING HANGER BRACKET</b>
<b>CUSTOMER:</b>		DRAWING NO: 276717	
<b>SUBMITTAL DATE:</b>	<b>SPEC. SYMBOL:</b>	DATE DRAWN: 2024-02-20	



UNIT SIZE	INLET SIZES	WIDTH	HEIGHT	CENTER-TO-CENTER
	D	W	H	A
4	3 7/8 (98)	24 1/8 (613)	8 (203)	12 1/8 (308)
5	4 7/8 (124)			
6	5 7/8 (149)		10 (254)	
7	6 7/8 (175)			
8	7 7/8 (200)			
9	8 7/8 (225)	28 1/8 (714)	12 1/2 (318)	14 1/8 (359)
10	9 7/8 (251)			
12	11 7/8 (302)	32 1/8 (816)	15 (381)	16 1/8 (410)
14	13 7/8 (352)	40 1/8 (1019)	17 1/2 (445)	20 1/8 (511)
16	15 7/8 (403)	48 1/8 (1222)	18 (457)	24 1/8 (613)



**STANDARD CONSTRUCTION:**

- 1" (25mm) THICK INTERNAL FIBERGLASS INSULATION WHICH MEETS REQUIREMENTS OF NFPA 90A AND UL181.
- 22 GAUGE GALVANIZED STEEL HOUSING. MECHANICALLY SEALED, LEAK RESISTANT CONSTRUCTION.
- RECTANGULAR DISCHARGE OPENING WITH SLIP AND DRIVE CLEAT DUCT CONNECTION.
- MULTI-POINT, CENTER AVERAGING AIRFLOW SENSOR.
- 1/2" (13mm) GALVANIZED DAMPER SHAFT WITH POSITION INDICATOR.

**CONTROLS OPTIONS:**

- FIELD MOUNTED CONTROLS, SUPPLIED BY OTHERS (FLD)
- FACTORY MOUNTED DIGITAL CONTROLS, SUPPLIED BY OTHERS (FAC)
- FACTORY MOUNTED DIGITAL CONTROLS, SUPPLIED BY PRICE (EHPD)
- FACTORY MOUNTED PNEUMATIC CONTROLS, SUPPLIED BY PRICE (EHPP)

**UNIT OPTIONS:**

- NEMA1 CONTROLS ENCLOSURE (PS)
- DISCONNECT SWITCH (DSW)
- HANGER BRACKETS (HB)
- BRASS AIRFLOW SENSOR GAUGE TAPS (GT)

**LINER OPTIONS:**

- FIBER FREE FOAM 1" (25mm) (FF1)
- SOLID METAL WITH FG1 (SM1)
- CLEANROOM ANGLES WITH FB1 (CRAF1)
- PERFORATED METAL WITH FB1 (AFPM1)
- CLEANROOM ANGLES (CA) WITH FG1 OR FF1

ALL METRIC DIMENSIONS [ ] ARE SOFT CONVERTED. IMPERIAL DIMENSIONS ARE CONVERTED TO METRIC AND ROUNDED TO THE NEAREST MILLIMETER.

<b>PROJECT:</b>		<b>price</b> <sup>®</sup>	
<b>ENGINEER:</b>		APPROVED BY: GH	<b>DDV DUAL DUCT TERMINAL VARIABLE VOLUME NON-MIXING CONTROL BOTTOM</b>
<b>CUSTOMER:</b>		DRAWING NO: 276718	
<b>SUBMITTAL DATE:</b>	<b>SPEC. SYMBOL:</b>	DATE DRAWN: 2024-02-20	